

Swing gate specification --> 1-wing



Customer _____

Date _____

Order number / project name _____

Gate type Light Flexible Universal Right/Left Industry

Infill

Double bar panel 8/6/8 Tubes (30/20 mm) Perforated plate
 Flat bar panel Woven wire mesh Metal sheet
 Decorative fence - type _____

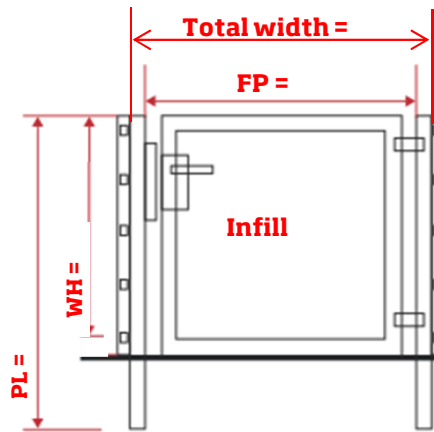
Dimension FP = _____ mm WH = _____ mm

(free passage between posts)

(Wing height)

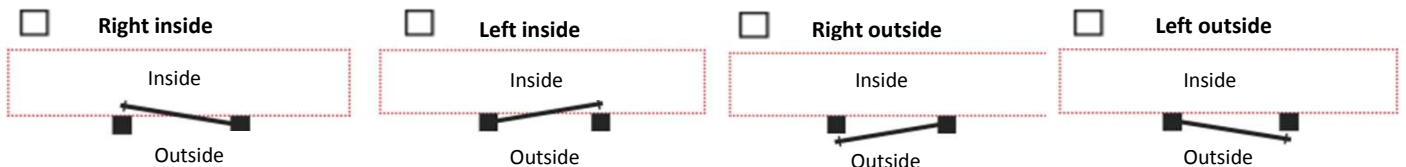
or

Total width _____ mm
 (total width incl. posts)



Profile Frame _____ mm
 Posts _____ mm

Opening direction



Others

- Dental strip (from height 1,8 m up)
- Fence connection left right
- E-opener
- E-opener + reach through protection
- + inside handle / outside fixed knob
- or fixed knob inside + outside
- Ground clearance - standard 50 mm
- Ground clearance - other _____ mm
- Panic lock
- Panic lock + reach through protection
- Gate prepared for customer lock / type?
- Gate prepared for padlock
- Automatic gate closer
- Post extension - top- drilled for 1 / 2 / 3 lines of barbed wire (incl. holder)
- Post extension - down _____ mm
- Wall fixation left right
- Base plates left right

Colours

- Hot dipped galvanized
- RAL 6005 - moss green
- RAL 7016 - anthracite

other _____

Specials

Stamp customer / signature

Swing gate specification sheet --> 2 wings



Customer _____

Date _____

Order number / project name _____

Gate type Light Flexible Universal Right/Left Industry

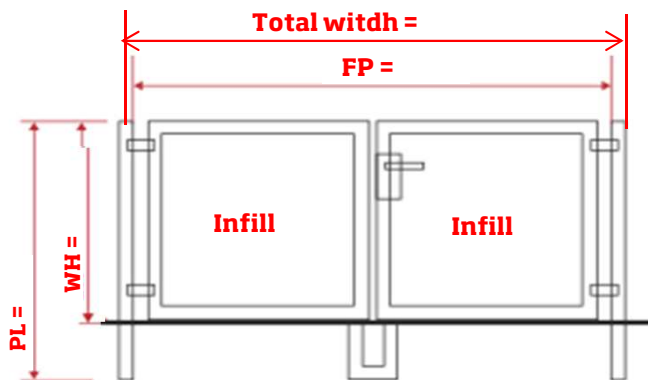
Infill

Double bar panel 8/6/8 Tubes (30/20 mm) Perforated plate
 Flat bar panel Woven wire mesh Metal sheet
 Decorative fence - type _____

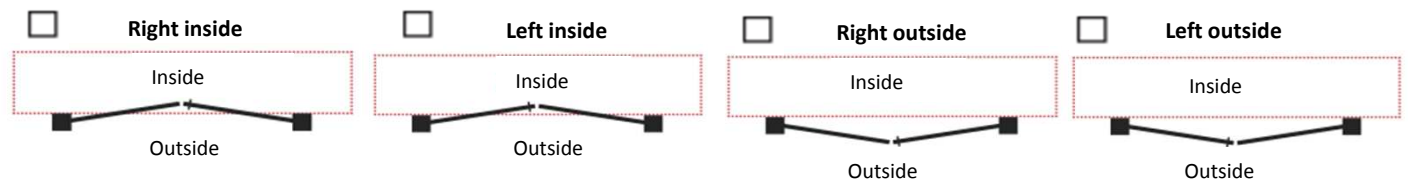
Dimension FP = _____ mm WH = _____ mm
 (free passage between posts) (Wing height)

or
 Total width _____ mm
 (total width incl. posts)

Profile Frame _____ mm
 Posts _____ mm



Opening direction



Others

- Dental strip (from height 1,8 m up)
- Fence connection left right
- E-opener
- E-opener + reach through protection
- + inside handle / outside fixed knob
- or fixed knob inside + outside
- Ground clearance - standard 50 mm
- Ground clearance - other _____ mm
- Panic lock
- Panic lock + reach through protection
- Gate prepared for customer lock / type?
- Gate prepared for padlock
- Automatic gate closer
- Post extension - top- drilled for 1 / 2 / 3 lines of barbed wire (incl. holder)
- Post extension - down _____ mm
- Wall fixation left right
- Base plates left right

Colours

- Hot dipped galvanized
- RAL 6005 - moss green
- RAL 7016 - anthracite

other _____

Specials

Stamp customer / signature