

Post specification - base plates + extensions / bent arms for barbed wire

--> view on posts always from OUTSIDE!

Customer _____

Date _____

Order number / project name _____

Post type S-Post O-Post H-Post U-Post P-Post

Post profile 60/40/2 mm or _____ / _____ / _____ mm

Colours hot dipped galvanized RAL 6005 RAL 7016 or RAL _____

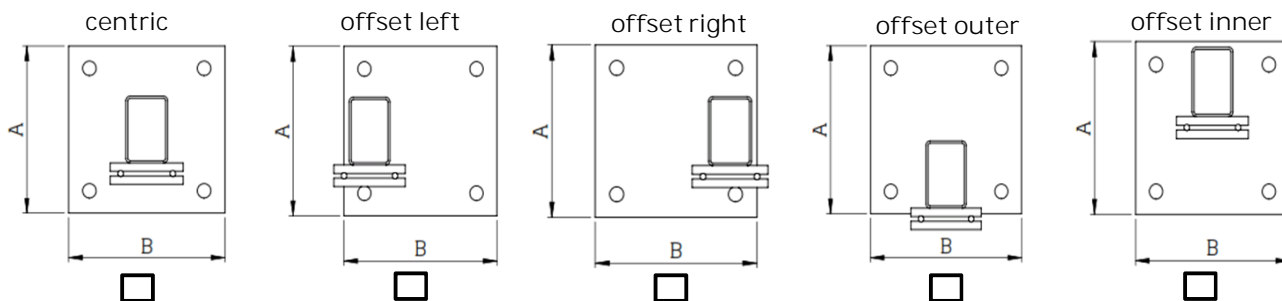
Base plates

Standard Fence height Dimension base plates (A/B) or A _____ / B _____ / _____ mm

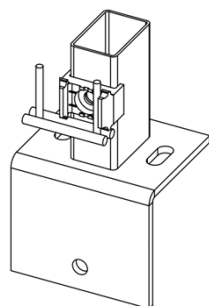
630 - 1030 mm 100 x 100 x 5 mm

1230 - 1830 mm 120 x 120 x 6 mm

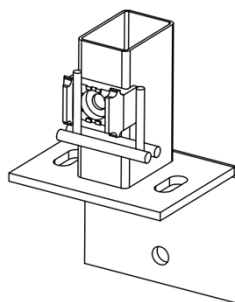
2030 - 2430 mm 150 x 150 x 10 mm



Base plate L-shape
flank -> outside



Base plate L-shape
flank -> inside



Post specification - base plates + extensions / bent arms for barbed wire

--> view on posts always from **OUTSIDE!**

Customer _____

Date _____

Order number / project name _____

Post type

S-Post

O-Post

H-Post

U-Post

P-Post

Post profile

60/40/2 mm

or

_____ / _____ / _____ mm

Colour

hot dipped galvanized

RAL 6005

RAL 7016

or RAL _____

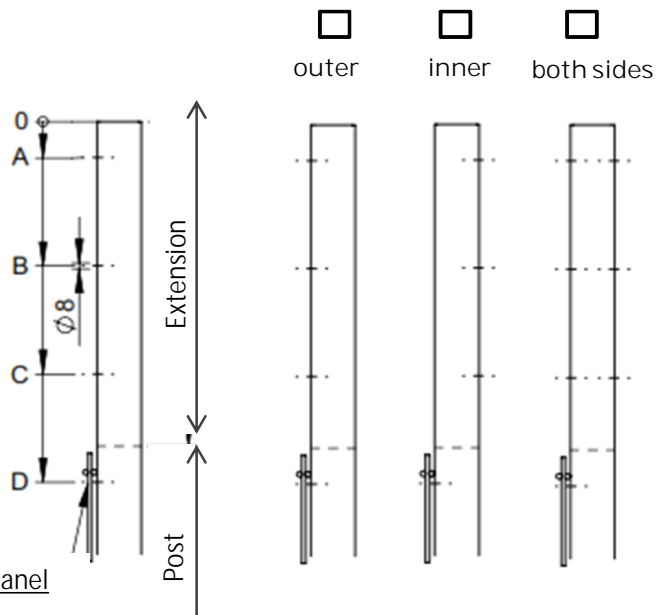
Extensions / bent arms drilled for barbed wire holder

(Hole for barbed wire holder \varnothing 8 mm)

1) straight extension up

	Lines of barbed	Extension	A	B	C	D
<input type="checkbox"/>	1	150	50			200
<input type="checkbox"/>	2	300	50	200		350
<input type="checkbox"/>	3	450	50	200	350	500

- Dimensions extension are valid for all profiles.

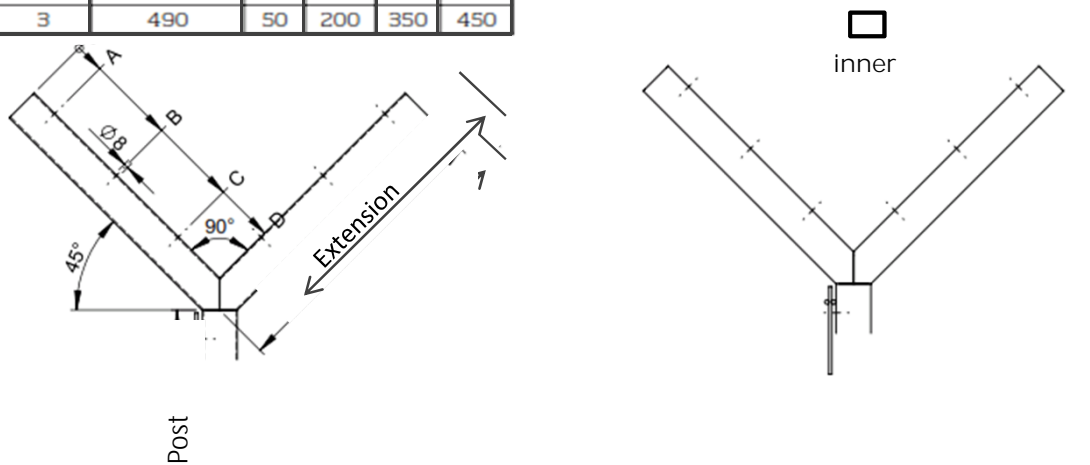


top drilling panel

2) Y - bending

	Lines of barbed wire	Extension	A	B	C	D
<input type="checkbox"/>	1	190	50			150
<input type="checkbox"/>	2	340	50	200		300
<input type="checkbox"/>	3	490	50	200	350	450

Dimensions extension are valid only for profiles 60/40 mm and 50/60 mm. For larger profiles dimension of extension will increase. Details on request.





Post specification - base plates + extensions / bent arms for barbed wire

--> view on posts always from **OUTSIDE!**

Customer _____

Date _____

Order number / project name _____

Post type S-Post O-Post H-Post U-Post P-Post

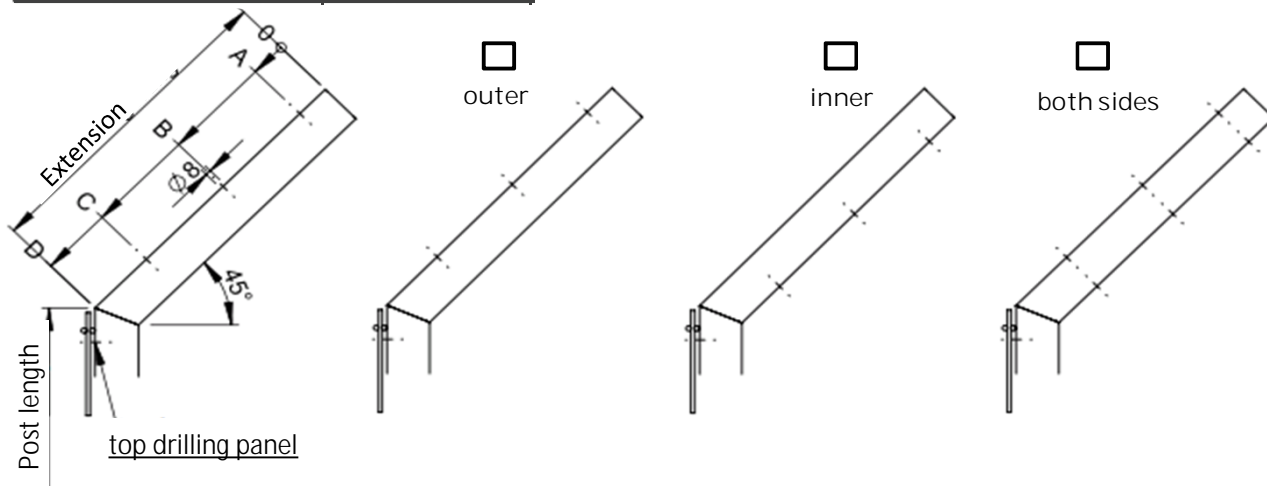
Post profile 60/40/2 mm or _____ / _____ / _____ mm

Colour hot dipped galvanized RAL 6005 RAL 7016 or RAL _____

3) 45° bent INWARDS + extended

Lines of barbed wire	Extension	A	B	C	D
<input type="checkbox"/> 1	150	50			150
<input type="checkbox"/> 2	300	50	200		300
<input type="checkbox"/> 3	450	50	200	350	450

Dimensions extension are valid only for profiles 60/40 mm and 60/60 mm.
For larger profiles dimension of extension will increase.
Details on request.



4) 45° bent OUTWARDS + extended

Lines of barbed wire	Extension	A	B	C	D
<input type="checkbox"/> 1	175	50			150
<input type="checkbox"/> 2	325	50	200		300
<input type="checkbox"/> 3	475	50	200	350	450

Dimensions extension are valid only for profiles 60/40 mm and 60/60 mm.
For larger profiles dimension of extension will increase.
Details on request.

